

# MİMARİ KATALOG ARCHITECTURAL CATALOGUE

Alüminyum Kapı Pencere ve Giydirme Cephe Sistemleri  
Aluminium Window Doors and Facade Systems



# RSG104



MİMARİ KATALOG  
ARCHITECTURAL CATALOGUE

Alüminyum Kapı Pencere ve Giydirme Cephe Sistemleri  
Aluminium Window Doors and Facade Systems

# RSG104

PROFİLLER

PROFILES

01

02

03

04

05

06

07

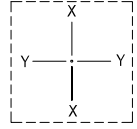
08

09

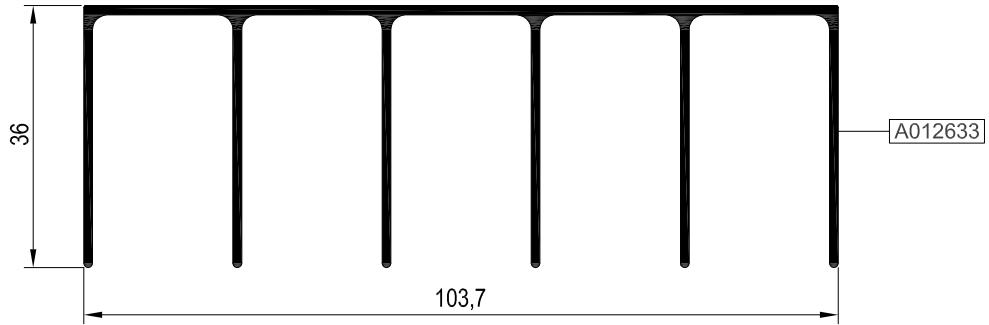
10

11

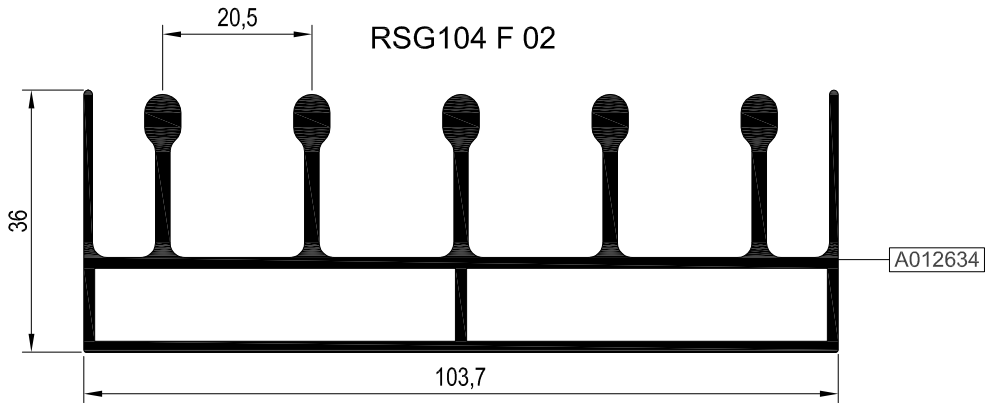
KOD / CODE	AĞIRLIK (kg/m) / WEIGHT	Jxx cm <sup>4</sup>	Jyy cm <sup>4</sup>	L m
RSG104 F 01	1,063	43,378	5,387	6
RSG104 F 02	1,966	76,885	9,388	6
RSG104 F 03	1,119	44,501	2,845	6



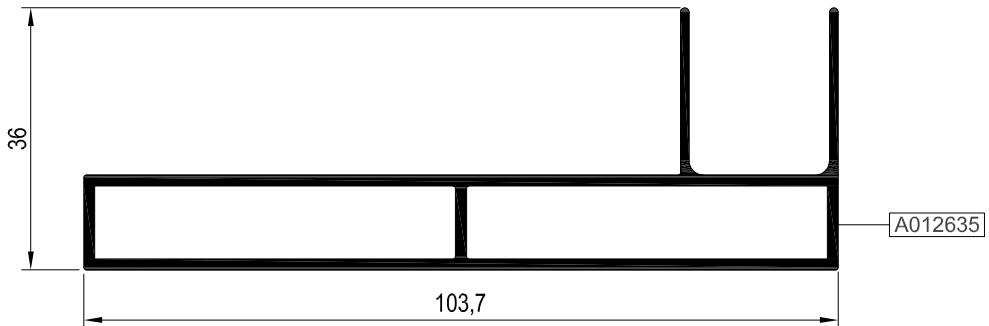
RSG104 F 01



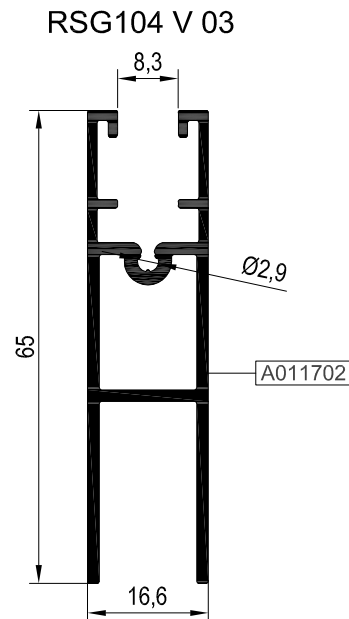
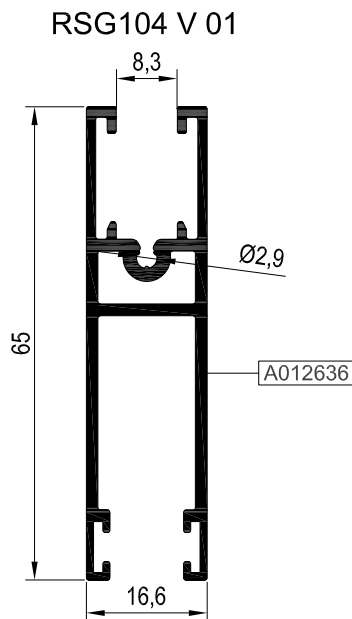
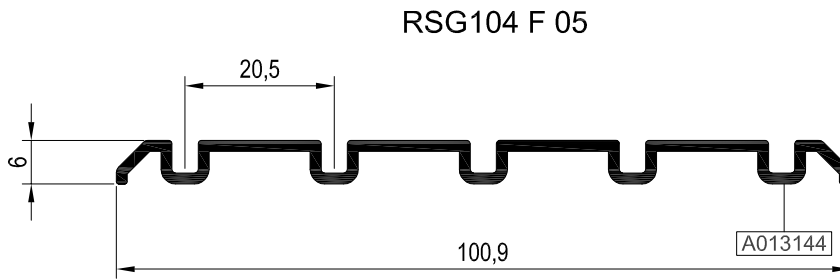
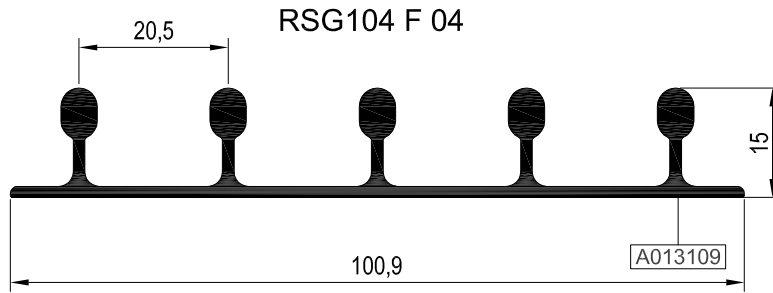
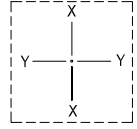
RSG104 F 02



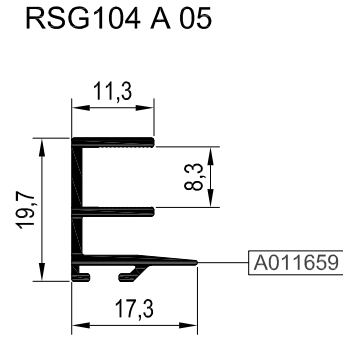
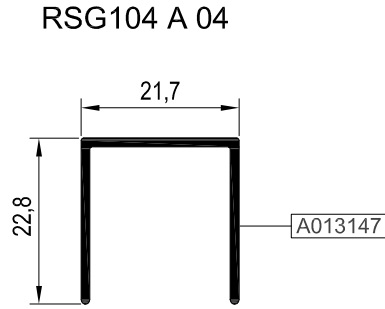
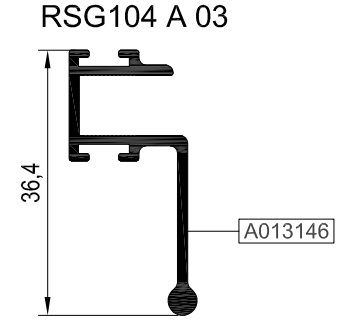
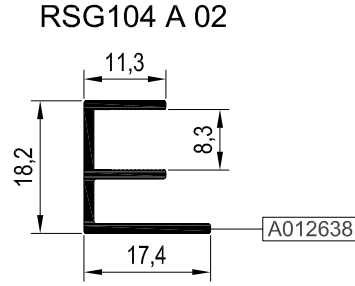
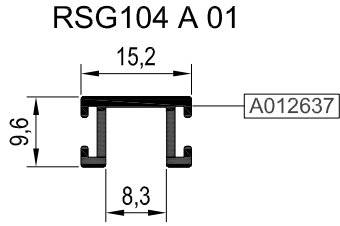
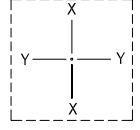
RSG104 F 03



KOD / CODE	AĞIRLIK (kg/m) / WEIGHT	Jxx cm4	Jyy cm4	L m
RSG104 F 04	0,976	30,332	0,954	6
RSG104 F 05	0,589	19,501	0,075	6
RSG104 V 01	0,756	1,252	8,996	6
RSG104 V 03	0,743	1,253	8,750	6



KOD / CODE	AĞIRLIK (kg/m) / WEIGHT	Jxx cm <sup>4</sup>	Jyy cm <sup>4</sup>	L m
RSG104 A 01	0,140	0,137	0,057	6
RSG104 A 02	0,188	0,154	0,293	6
RSG104 A 03	0,291	0,373	0,993	6
RSG104 A 04	0,210	0,644	0,421	6



**STOKTA BULUNAN SİSTEM PROFİLLERİNİN LİSTESİ (LIST OF SYSTEM PROFILES IN STOCK)**

Nr	MIN. SİPARİŞ MİKTARI MIN. ORDER QUANTITY
RSG104 F 01	A012633 75 kg
RSG104 F 02	A012634 75 kg
RSG104 F 03	A012635 75 kg
RSG104 F 05	A013144 75 kg
RSG104 A 03	A013146 75 kg

\* STOKTA BULUNMAYAN TÜM PROFİLLER İÇİN MİNİMUM SİPARİŞ MİKTARI 300 KG'DİR.  
MINIMUM ORDER QUANTITY FOR ALL THE PROFILES THAT ARE NOT IN STOCK IS 300 KG.

MİMARİ KATALOG  
ARCHITECTURAL CATALOGUE

Alüminyum Kapı Pencere ve Giydirme Cephe Sistemleri  
Aluminium Window Doors and Facade Systems

# RSG104

DETAYLAR

DETAILS

01

02

03

04

05

06

07

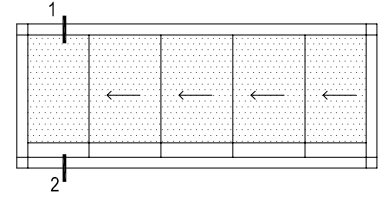
08

09

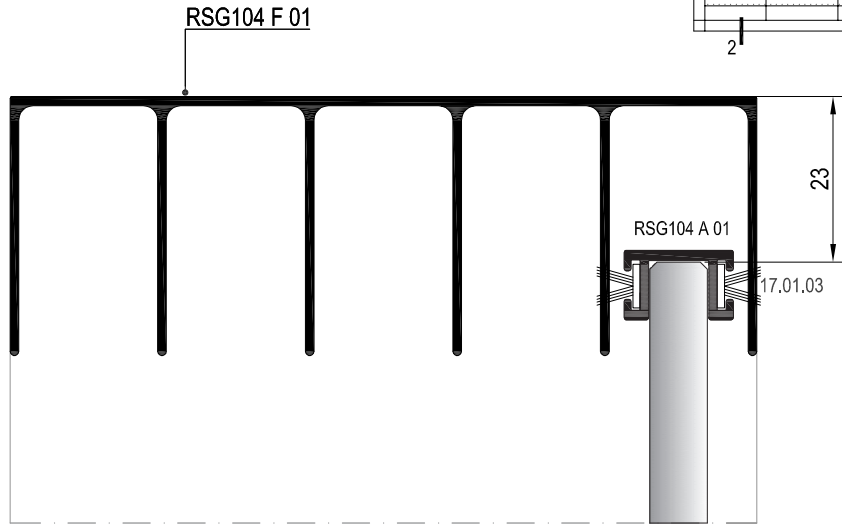
10

11

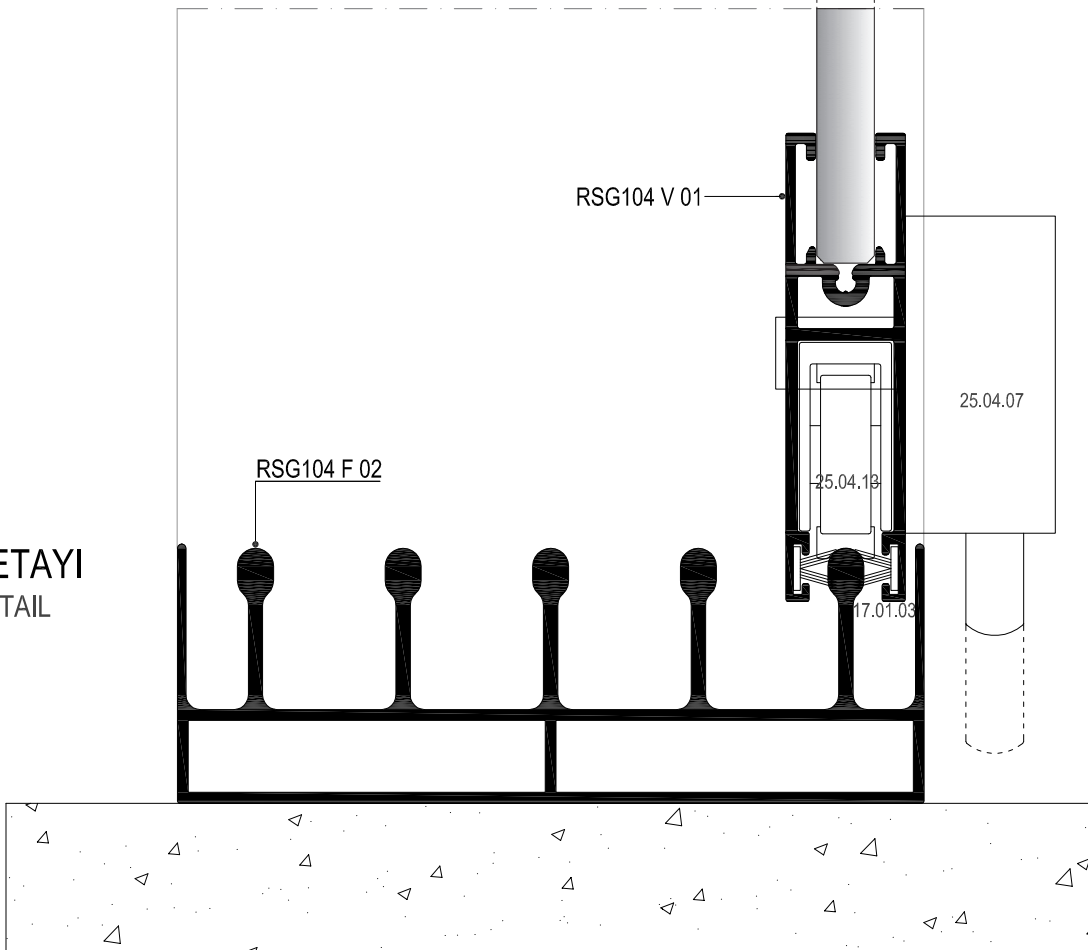
- 01
- 02
- 03
- 04
- 05
- 06
- 07
- 08
- 09
- 10
- 11



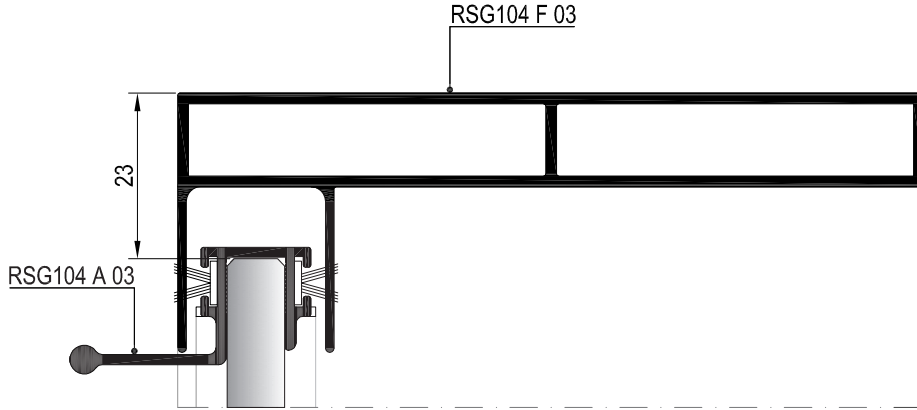
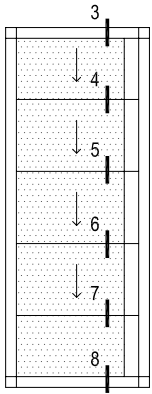
① DETAYI  
DETAIL



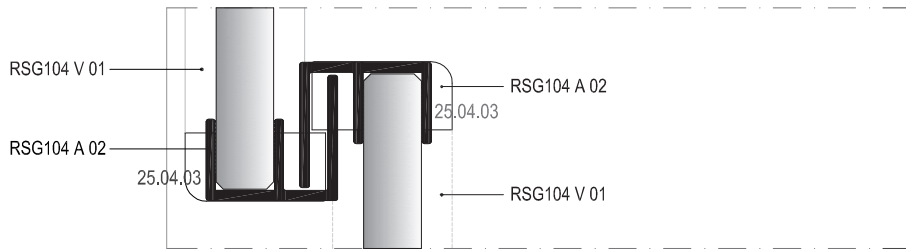
② DETAYI  
DETAIL



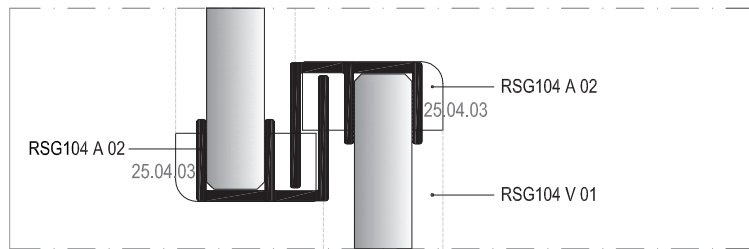




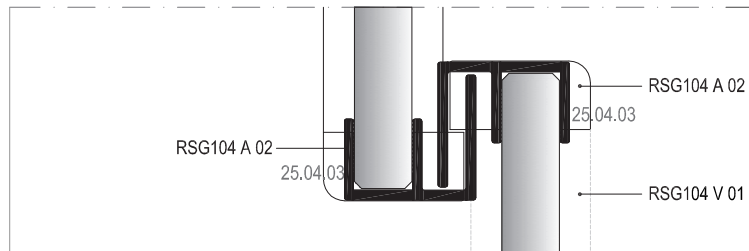
③ DETAYI  
DETAIL



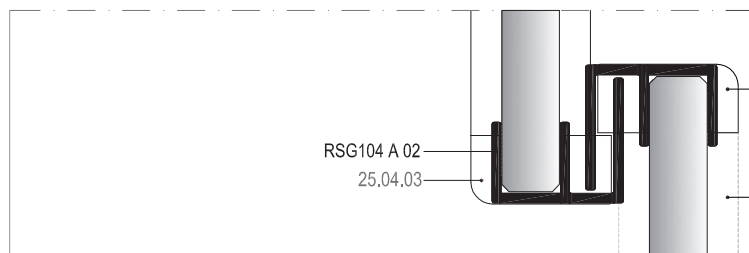
④ DETAYI  
DETAIL



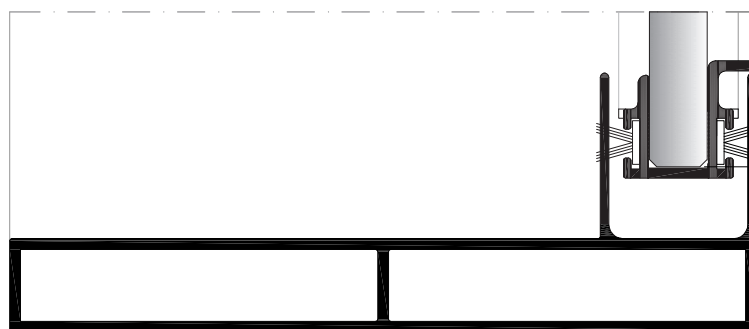
⑤ DETAYI  
DETAIL



⑥ DETAYI  
DETAIL



⑦ DETAYI  
DETAIL



⑧ DETAYI  
DETAIL

01

02

03

04

05

06

07

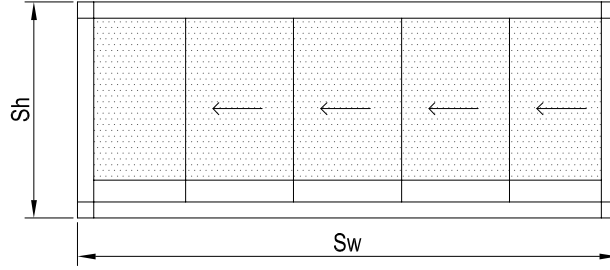
08

09

10

11

## ÜRETİM MANUFACTURE



### CAM EBATLARI:

$$\text{Cam Yüksekliği (Gh)(mm)} = \text{Sh} - 98$$

$$\text{Cam Genişliği (Gw)(mm)} = \frac{\text{Sw} + 18}{5}$$

### PROFİL KESİM ÖLÇÜLERİ:

$$\text{Üst ve Alt Kasa Profilleri (RSG104 F 01 VE F 02) (mm)} = \text{Sw} - 72$$

$$\text{Yan Kasa Profilleri (RSG104 F 03) (mm)} = \text{Sh} - 72$$

$$\text{Kanat Profili (RSG104 V 01) (mm)} = \text{Gw} - 16$$

$$\text{Dikme Profilleri (RSG104 A 03 VE A 02) (mm)} = \text{Gh} - 26$$

$$\text{Üst Yatay Profil (RSG104 A 01) (mm)} = \text{Gw} + 4$$

### GLASS DIMENSIONS:

$$\text{Glass height (Gh)(mm)} = \text{Sh} - 98$$

$$\text{Glass width (Gw)(mm)} = \frac{\text{Sw} + 18}{5}$$

### PROFILE CUTTING MEASURES:

$$\text{Upper and bottom profiles (RSG104 F 01 VE F 02) (mm)} = \text{Sw} - 72$$

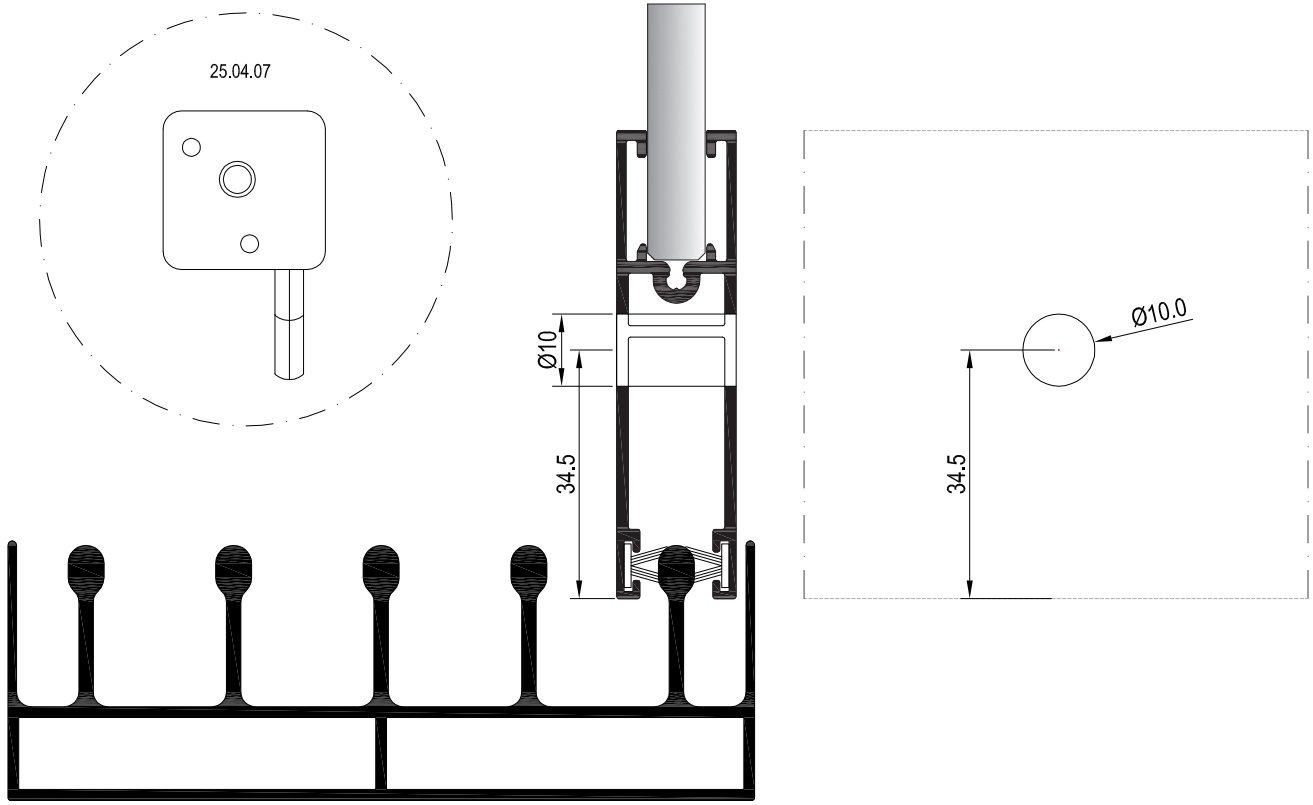
$$\text{Side frame profiles (RSG104 F 03) (mm)} = \text{Sh} - 72$$

$$\text{Vent profiles (RSG104 V 01) (mm)} = \text{Gw} - 16$$

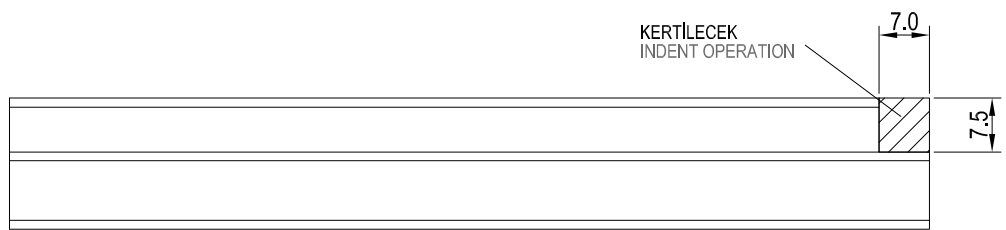
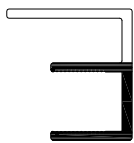
$$\text{Adapter profiles (RSG104 A 03 VE A 02) (mm)} = \text{Gh} - 26$$

$$\text{Adapter profiles (RSG104 A 01) (mm)} = \text{Gw} + 4$$

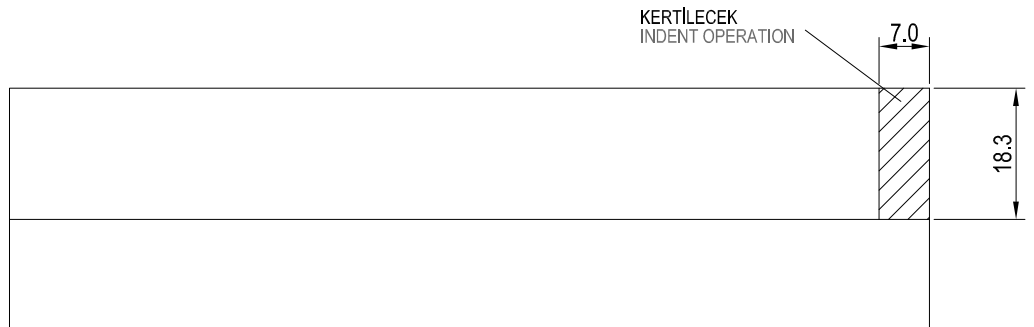
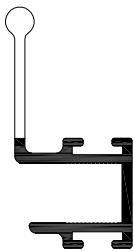
## KERTME VE DELME İŞLEMLERİ INDENT AND DRILL OPERATIONS



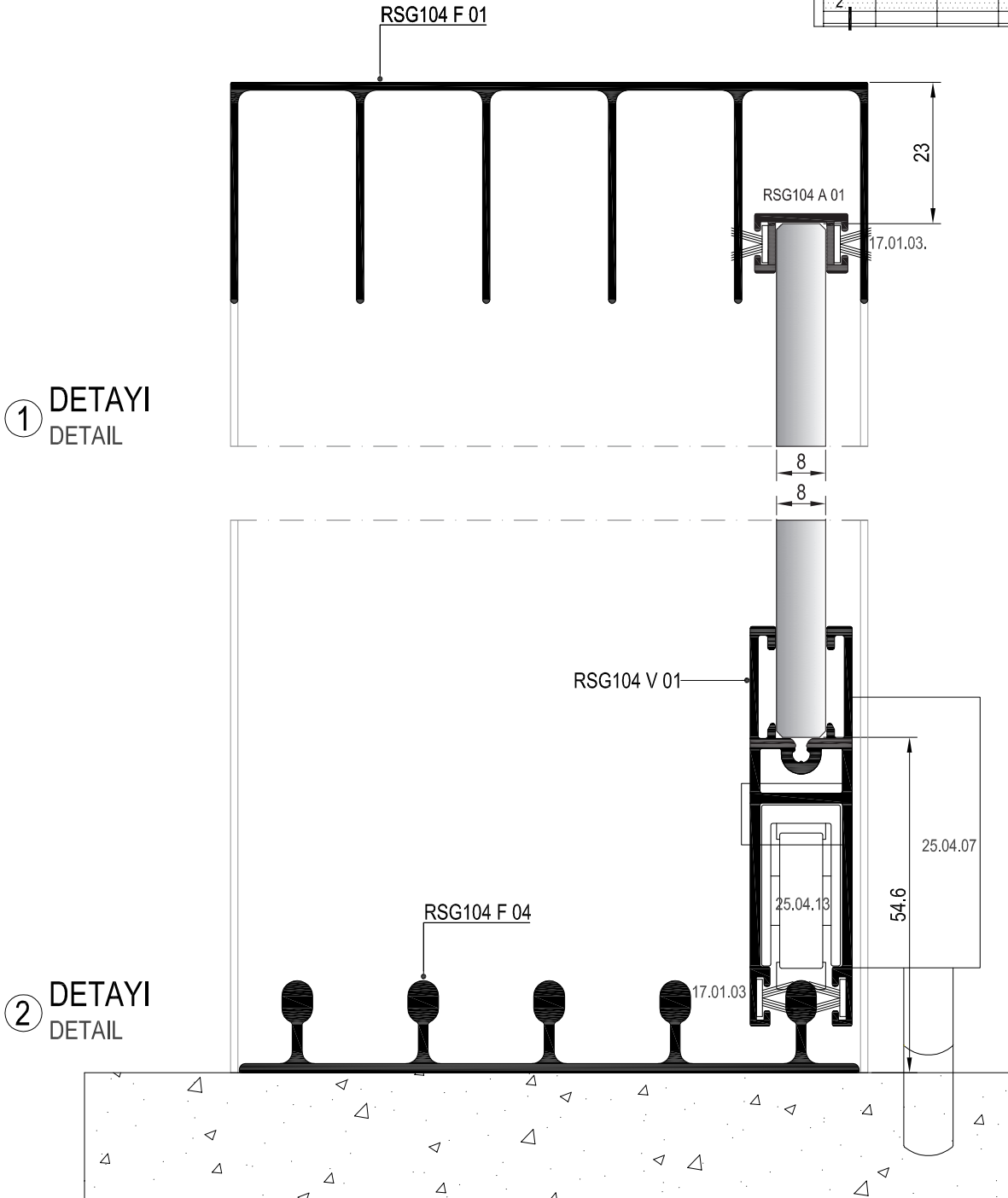
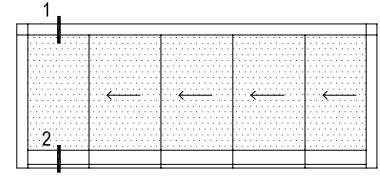
RSG104 A 02

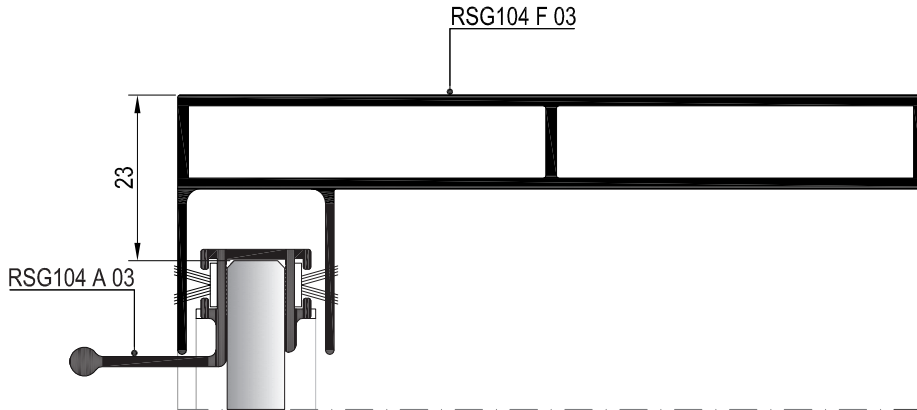
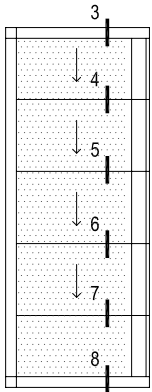


RSG104 A 03

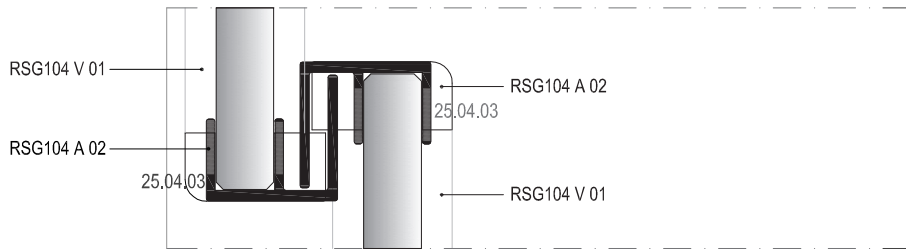


- 01
- 02
- 03
- 04
- 05
- 06
- 07
- 08
- 09
- 10
- 11

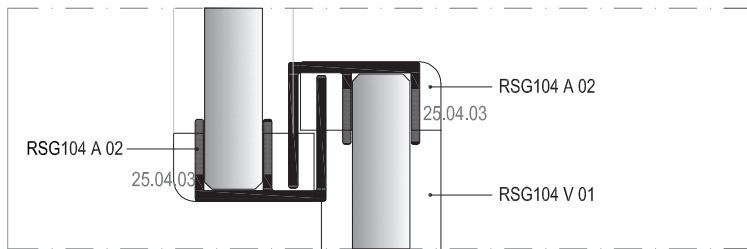




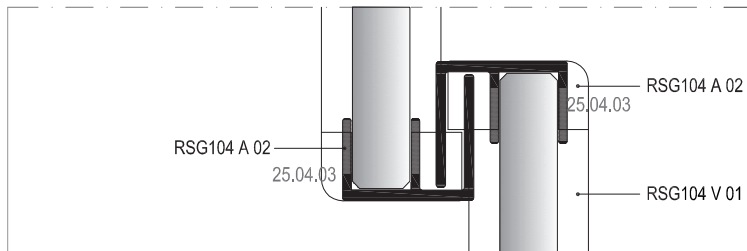
③ DETAYI  
DETAIL



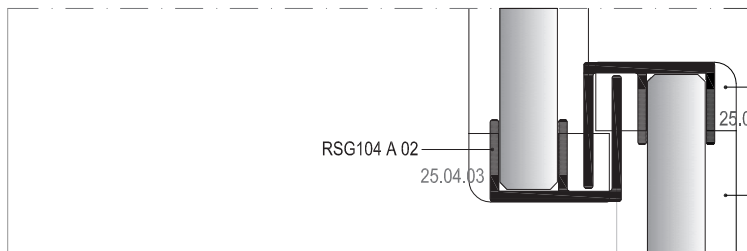
④ DETAYI  
DETAIL



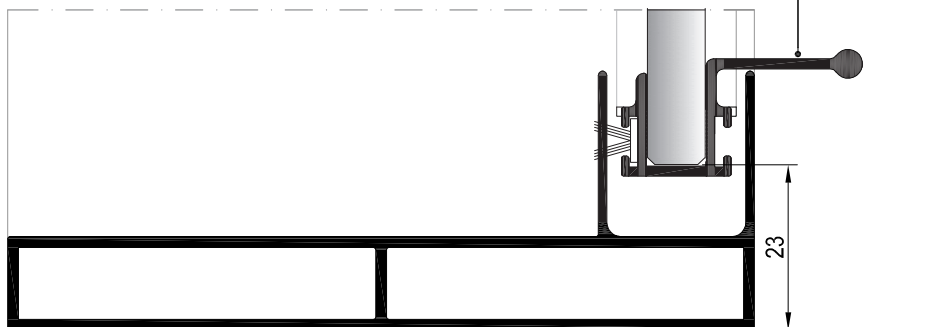
⑤ DETAYI  
DETAIL



⑥ DETAYI  
DETAIL



⑦ DETAYI  
DETAIL



⑧ DETAYI  
DETAIL

01

02

03

04

05

06

07

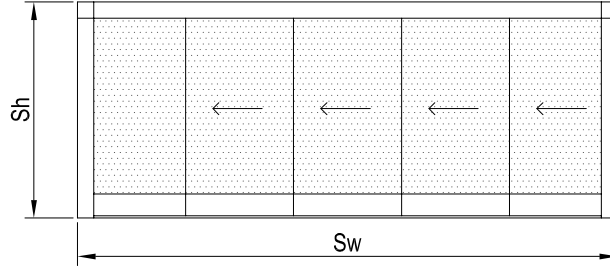
08

09

10

11

## ÜRETİM MANUFACTURE



### CAM EBATLARI:

$$\text{Cam Yüksekliği (Gh)(mm)} = \text{Sh} - 78$$

$$\text{Cam Genişliği (Gw)(mm)} = \frac{\text{Sw} + 18}{5}$$

### PROFİL KESİM ÖLÇÜLERİ:

$$\text{Üst Kasa Profilleri (RSG104 F 01) (mm)} = \text{Sw} - 72$$

$$\text{Alt Kasa Profilleri (RSG104 F 04) (mm)} = \text{Sw} - 26$$

$$\text{Yan Kasa Profilleri (RSG104 F 03) (mm)} = \text{Sh} - 36$$

$$\text{Kanat Profili (RSG104 V 01) (mm)} = \text{Gw} - 16$$

$$\text{Dikme Profilleri (RSG104 A 03 VE A 02) (mm)} = \text{Gh} - 26$$

$$\text{Üst Yatay Profil (RSG104 A 01) (mm)} = \text{Gw} + 4$$

### GLASS DIMENSIONS:

$$\text{Glass height (Gh)(mm)} = \text{Sh} - 78$$

$$\text{Glass width (Gw)(mm)} = \frac{\text{Sw} + 18}{5}$$

### PROFILE CUTTING MEASURES:

$$\text{Upper profile (RSG104 F 01) (mm)} = \text{Sw} - 72$$

$$\text{Bottom profile (RSG104 F 04) (mm)} = \text{Sw} - 26$$

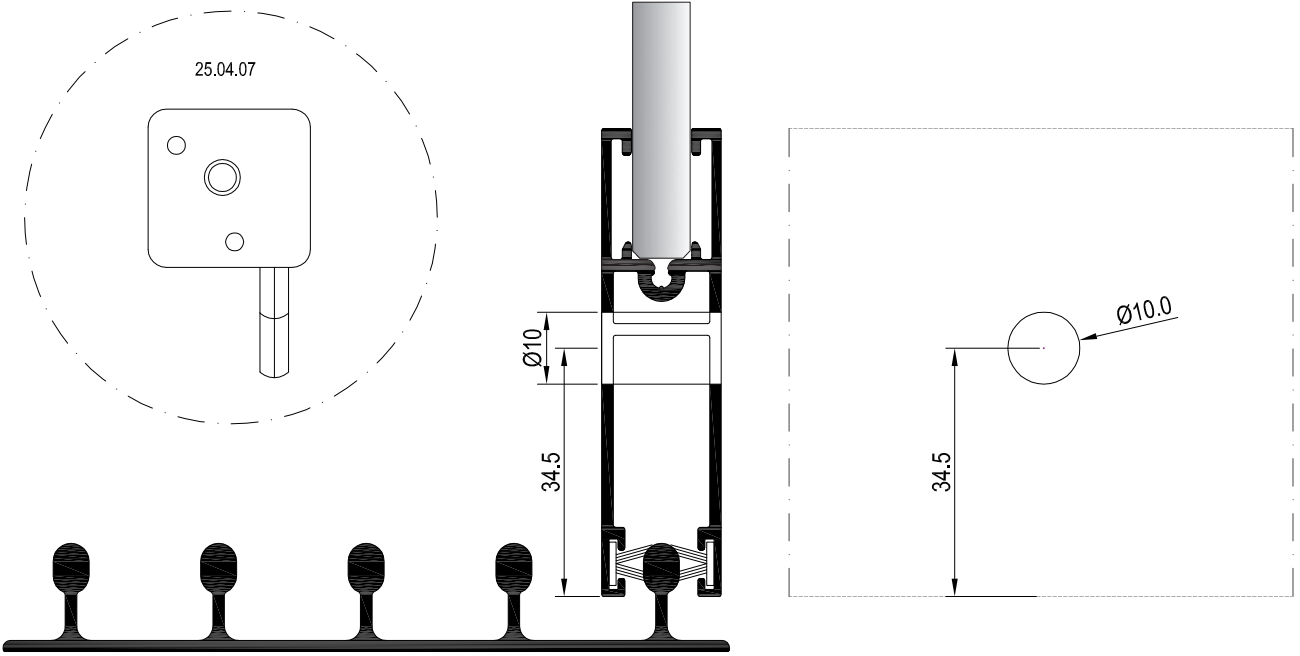
$$\text{Side frame profiles (RSG104 F 03) (mm)} = \text{Sh} - 36$$

$$\text{Vent profiles (RSG104 V 01) (mm)} = \text{Gw} - 16$$

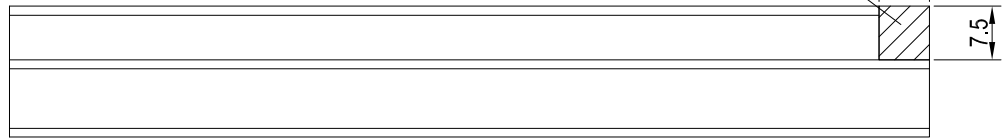
$$\text{Adapter profiles (RSG104 A 03 VE A 02) (mm)} = \text{Gh} - 26$$

$$\text{Adapter profiles (RSG104 A 01) (mm)} = \text{Gw} + 4$$

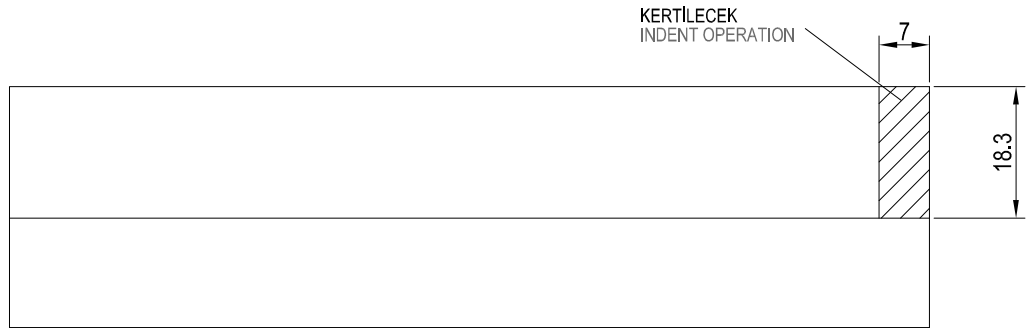
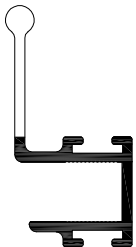
## KERTME VE DELME İŞLEMLERİ INDENT AND DRILL OPERATIONS



RSG104 A 02



RSG104 A 03



01

02

03

04

05

06

07

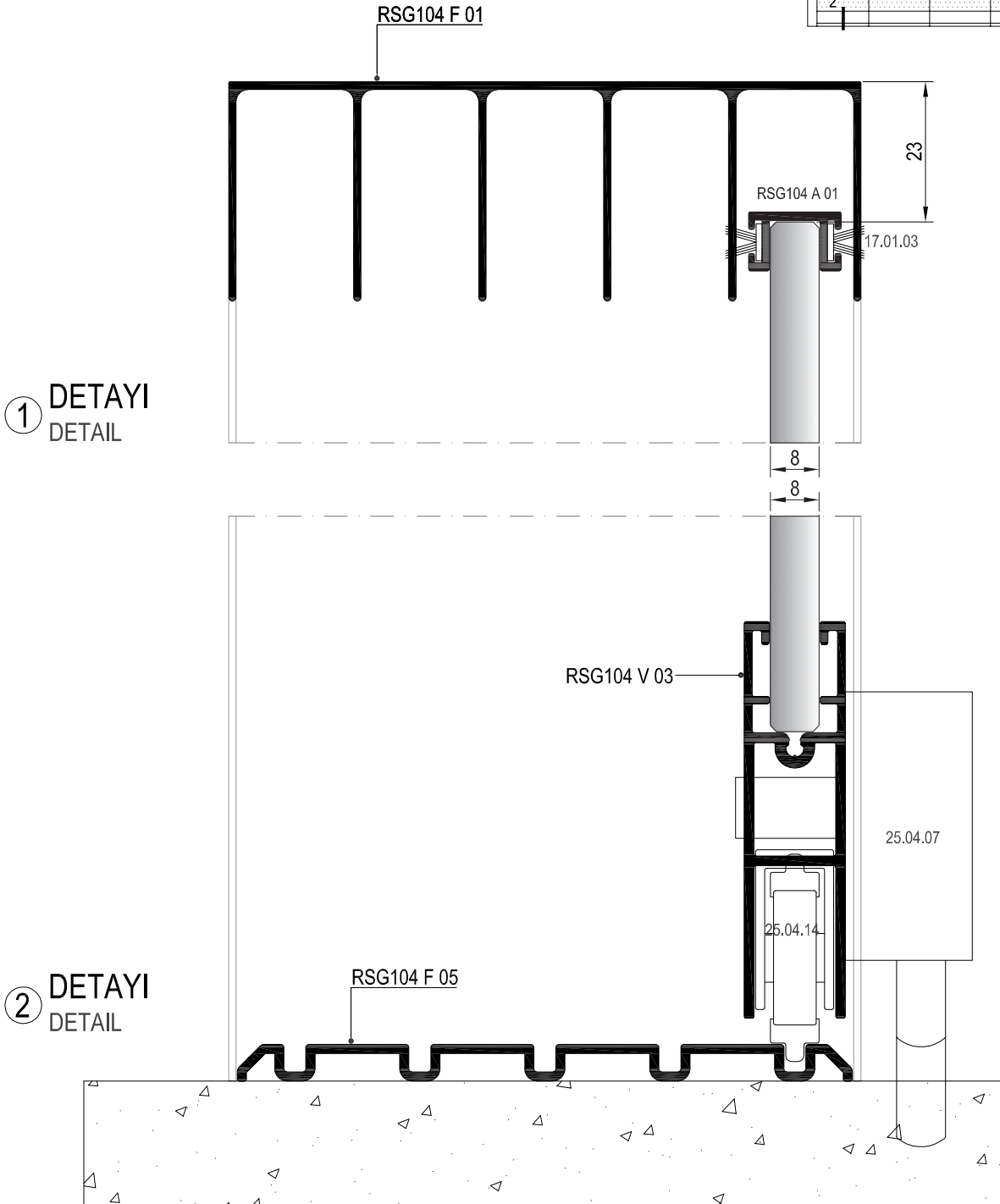
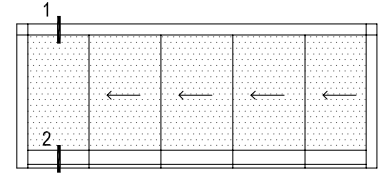
08

09

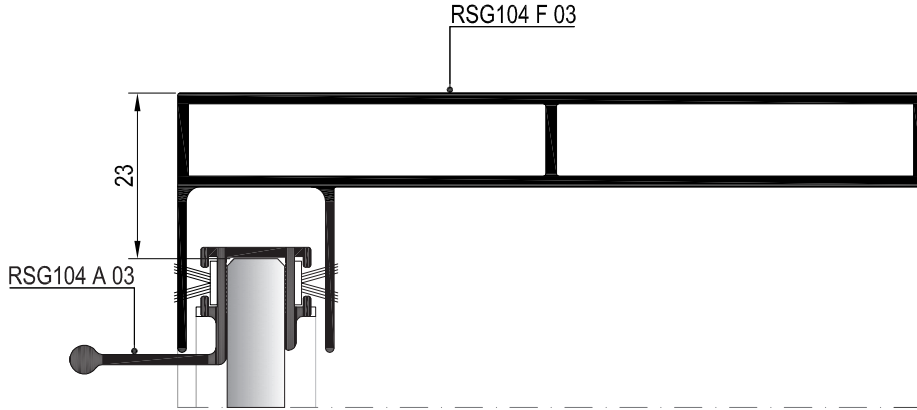
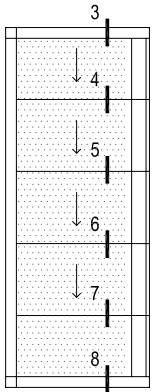
10

11

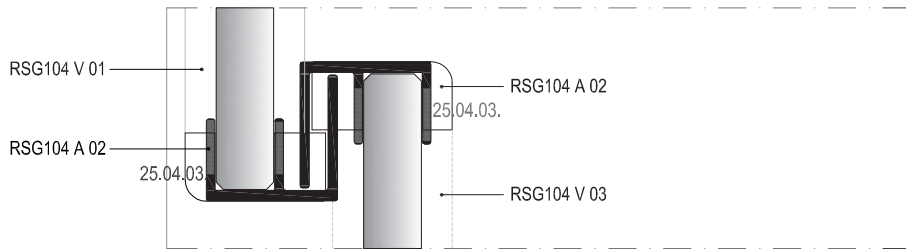
- 01
- 02
- 03
- 04
- 05
- 06
- 07
- 08
- 09
- 10
- 11



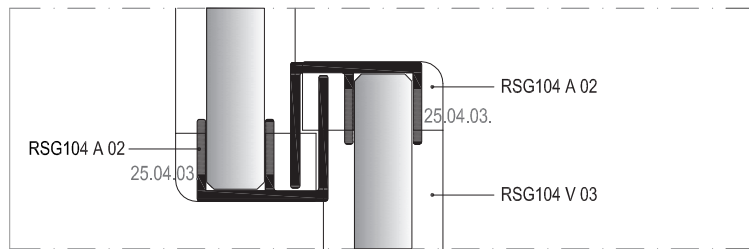




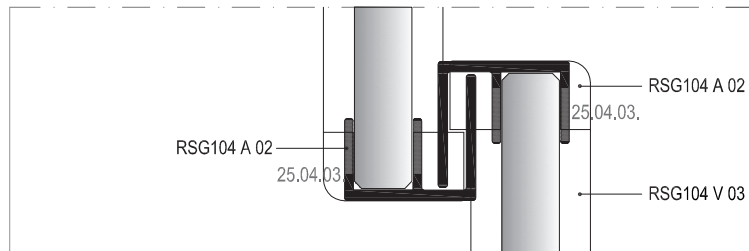
③ DETAYI  
DETAIL



④ DETAYI  
DETAIL

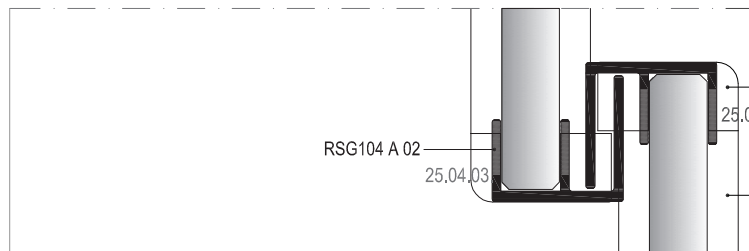


⑤ DETAYI  
DETAIL

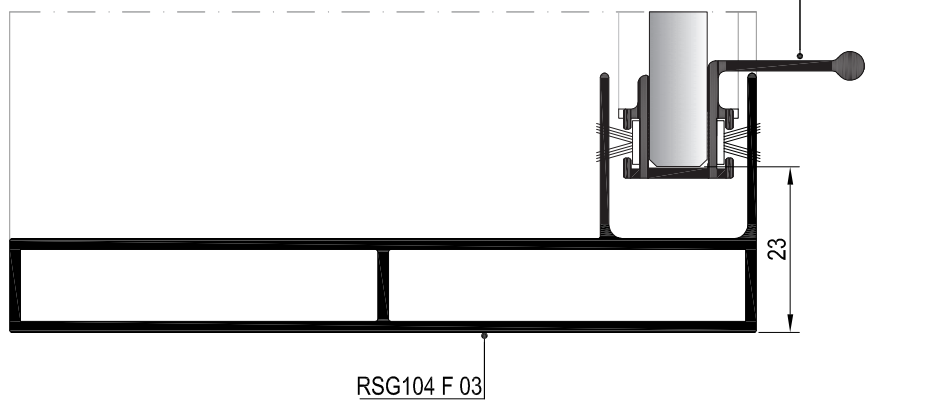


⑥ DETAYI  
DETAIL

⑦ DETAYI  
DETAIL



⑧ DETAYI  
DETAIL



01

02

03

04

05

06

07

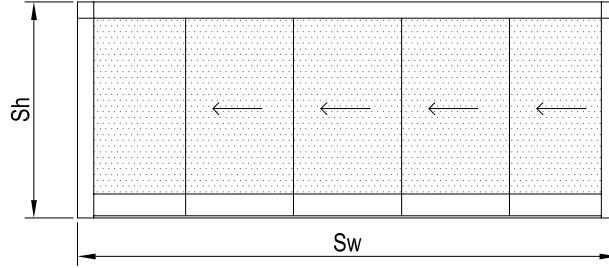
08

09

10

11

## ÜRETİM MANUFACTURE



### CAM EBATLARI:

$$\text{Cam Yüksekliđi (Gh)(mm)} = \text{Sh} - 80,3$$

$$\text{Cam Geniřliđi (Gw)(mm)} = \frac{\text{Sw} + 18}{5}$$

### PROFİL KESİM ÖLÇÜLERİ:

$$\text{Üst Kasa Profilleri (RSG104 F 01) (mm)} = \text{Sw} - 72$$

$$\text{Alt Kasa Profilleri (RSG104 F 05) (mm)} = \text{Sw} - 26$$

$$\text{Yan Kasa Profilleri (RSG104 F 03) (mm)} = \text{Sh} - 36$$

$$\text{Kanat Profili (RSG104 V 03) (mm)} = \text{Gw} - 16$$

$$\text{Dikme Profilleri (RSG104 A 03 VE A 02) (mm)} = \text{Gh} - 26$$

$$\text{Üst Yatay Profil (RSG104 A 01) (mm)} = \text{Gw} + 4$$

### GLASS DIMENSIONS:

$$\text{Glass height (Gh)(mm)} = \text{Sh} - 80,3$$

$$\text{Glass width (Gw)(mm)} = \frac{\text{Sw} + 18}{5}$$

### PROFILE CUTTING MEASURES:

$$\text{Upper profile (RSG104 F 01) (mm)} = \text{Sw} - 72$$

$$\text{Bottom profile (RSG104 F 05) (mm)} = \text{Sw} - 26$$

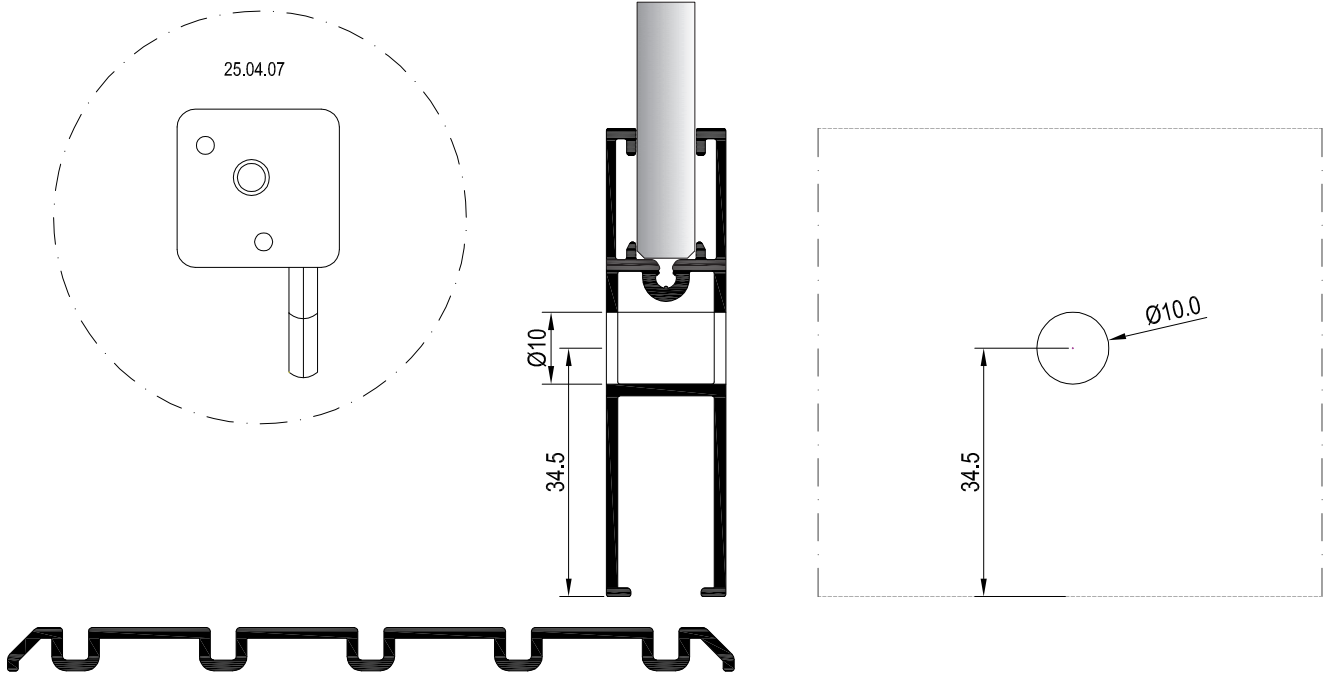
$$\text{Side frame profiles (RSG104 F 03) (mm)} = \text{Sh} - 36$$

$$\text{Vent profiles (RSG104 V 03) (mm)} = \text{Gw} - 16$$

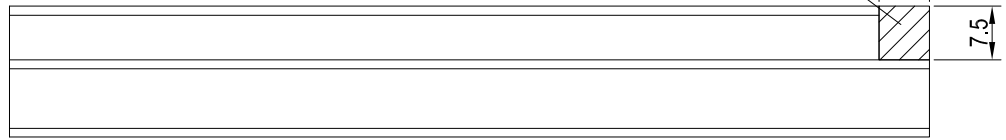
$$\text{Adapter profiles (RSG104 A 03 VE A 02) (mm)} = \text{Gh} - 26$$

$$\text{Adapter profiles (RSG104 A 01) (mm)} = \text{Gw} + 4$$

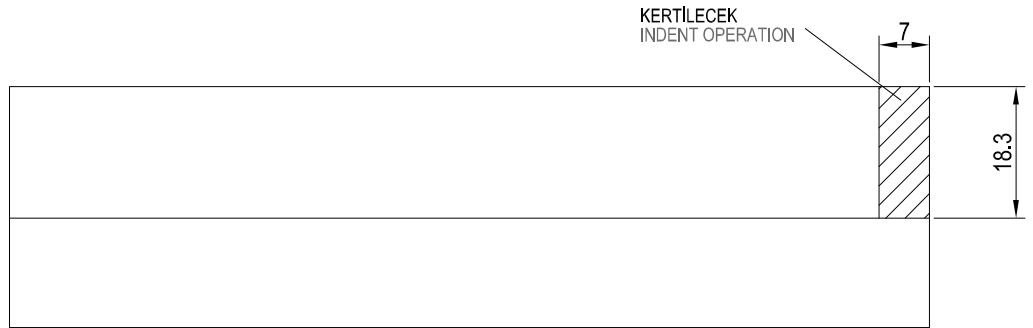
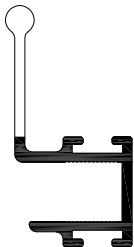
## KERTME VE DELME İŞLEMLERİ INDENT AND DRILL OPERATIONS



RSG104 A 02



RSG104 A 03



01

02

03

04

05

06

07

08

09

10

11



MİMARİ KATALOG  
ARCHITECTURAL CATALOGUE

Alüminyum Kapı Pencere ve Giydirme Cephe Sistemleri  
Aluminium Window Doors and Facade Systems

# RSG104

AKSESUARLAR

ACCESSORIES

01

02

03

04

05

06

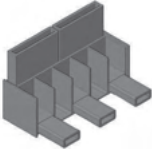
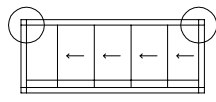
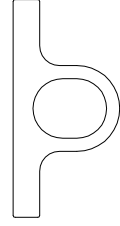
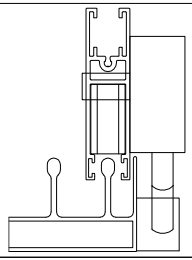

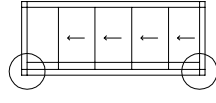

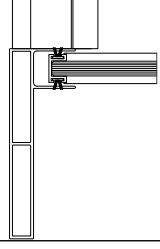

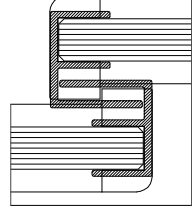

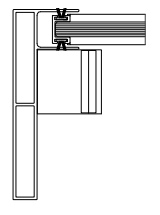

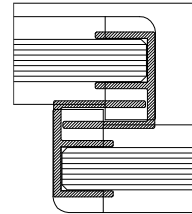

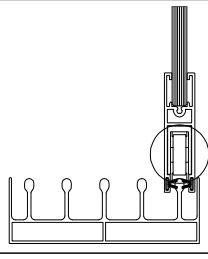

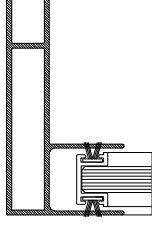

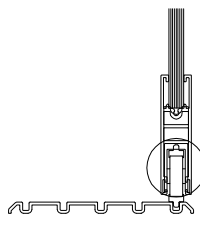

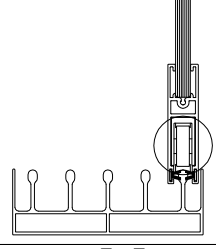

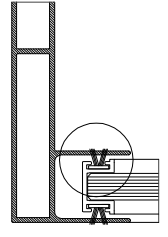
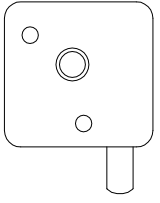
07

08

09

10

11

01		<b>25.04.01</b> KÖŞE TAKOZU CORNER CLEAT Malzeme / Material: PVC RSG104 F 01 - RSG104 F 03			<b>25.04.08</b> KİLİT KARŞILIĞI STRIKER	
02		<b>25.04.02</b> KÖŞE TAKOZ CORNER CLEAT Malzeme / Material: PVC RSG104 F 02 - RSG104 F 03			<b>25.04.10</b> KİLİT LOCK	
03		<b>25.04.03</b> ARKA KAPAK (SOL) CAP (LEFT) Malzeme / Material: PVC			<b>25.04.11</b> KİLİT LOCK	
04		<b>25.04.04</b> ARKA KAPAK (SAĞ) CAP (RIGHT) Malzeme / Material: PVC			<b>25.04.13</b> AYARLI ÇİFTLİ RULMAN ADJUSTABLE DOUBLE ROLLER RSG104 V 01 İÇİN FOR RSG104 V 01	
05		<b>25.04.05</b> BİTİŞ KAPAĞI END CAP Malzeme / Material: PVC			<b>25.04.14</b> AYARLI ÇİFTLİ RULMAN ADJUSTABLE DOUBLE ROLLER RSG104 V 03- RSG104 F 05 İÇİN FOR RSG104 V 03 - RSG104 F 05	
06		<b>25.04.06</b> RULMAN ROLLER RSG104 V 01 İÇİN FOR RSG104 V 01			<b>25.02.37</b> KİL FİTİL BRUSH	
07		<b>25.04.07</b> KİLİT LOCK	