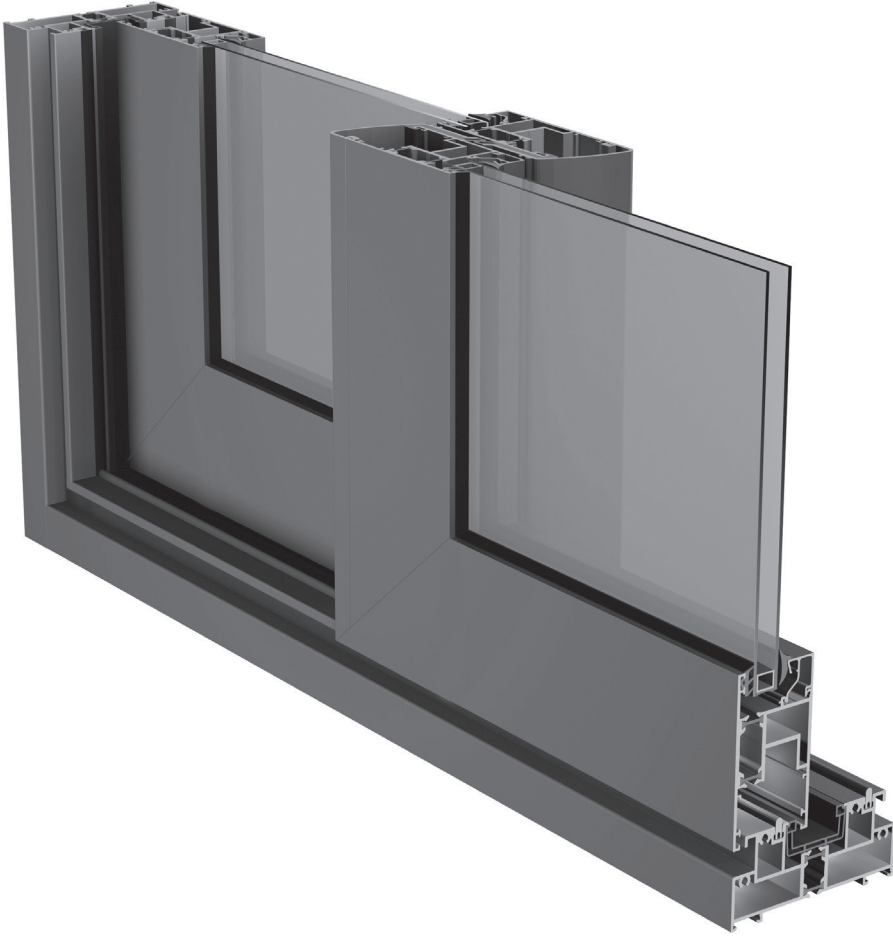




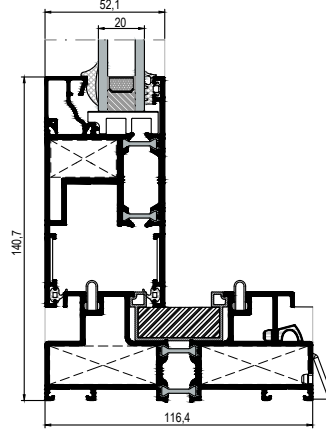
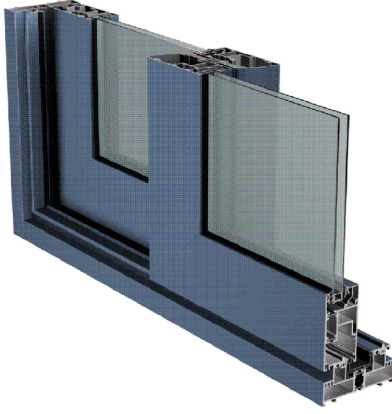
**Alüminyum Mimari Sistemler**  
Aluminium Architectural Systems

## MİMARİ KATALOG ARCHITECTURAL CATALOGUE

**Alüminyum Kapı Pencere ve Giydirme Cephe Sistemleri**  
Aluminium Door Window and Facade Systems



# RST116





**TEKNİK ÖZELLİKLERİ / TECHNICAL PROPERTIES**

<b>KASA DERİNLİĞİ / FRAME DEPTH</b>	min 116,4 mm-max 180,8mm
<b>KANAT DERİNLİĞİ / VENT DEPTH</b>	52,1mm
<b>PROFİL ET KALINLIĞI / PROFILE WALL THICKNESS</b>	1,6 / 1,8 / 2mm
<b>CAM KALINLIĞI / GLASS THICKNESS</b>	min 5mm-max 33mm
<b>ISI BARIYERLERİ / THERMAL INSULATION BARS</b>	14,8mm

**KULLANIM SEÇENEKLERİ / APPLICATION ALTERNATIVES**

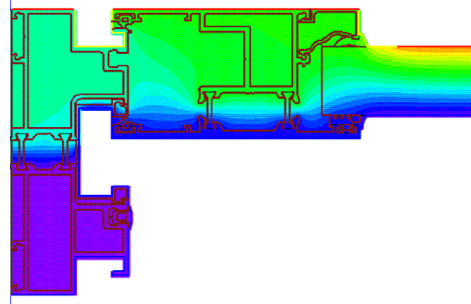
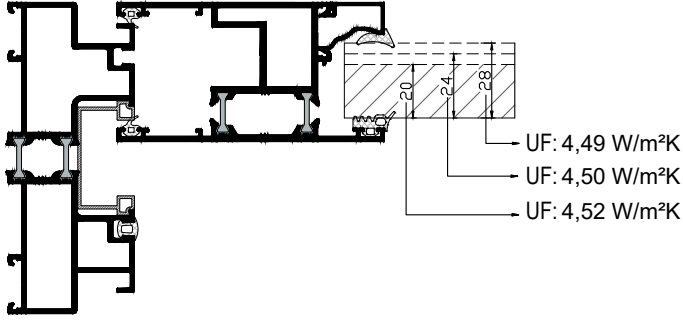
	<b>KAPI DOOR</b>	<b>PENCERE WINDOW</b>
<b>KALDIR SÜR / LIFT &amp; SLIDE</b>	•	•
<b>BASİT SÜRME / SLIDING</b>	•	•
<b>45° KANAT BİRLEŞİMİ / 45° VENT COMBINATION</b>	•	•
<b>CAM ÇITALI KANAT / VENT WITH GLAZING BEAD</b>	•	•
<b>MONO RAYLI KASA / MONO RAILED FRAME</b>	•	•
<b>3 RAYLI KASA / THREE RAILED FRAME</b>	•	•
<b>SABİT KASA / FIXED FRAME</b>	•	•

**PERFORMANS DEĞERLERİ / PERFORMANCE VALUES**

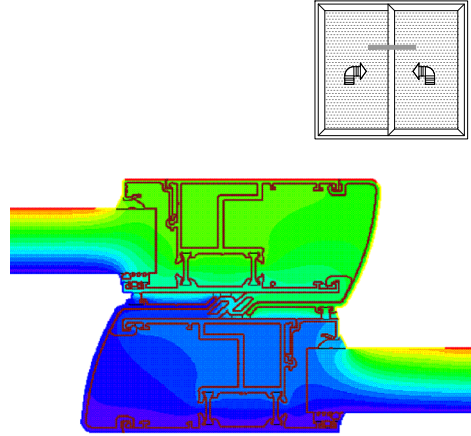
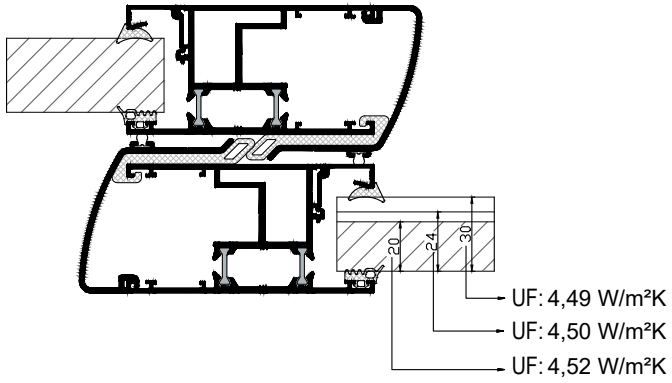
<b>HAVA GEÇİRGENLİĞİ - EN 12207 (AIR PERMEABILITY)</b>	<b>1</b> (150 Pa)	<b>2</b> (300 Pa)	<b>3</b> (450 Pa)	<b>4</b> (600 Pa)						
<b>SU SIZDIRMAZLIĞI - EN 12208 (WATERTIGHTNESS)</b>	<b>2A</b> (50 Pa)	<b>3A</b> (100 Pa)	<b>4A</b> (150 Pa)	<b>5A</b> (200 Pa)	<b>6A</b> (250 Pa)	<b>7A</b> (300 Pa)	<b>8A</b> (450 Pa)	<b>9A</b> (600 Pa)	<b>E...</b> (600+ Pa)	<b>E1200</b> (1200 Pa)
<b>RÜZGAR YÜKÜNE DAYANIM - EN 12210 (RESISTANCE TO WIND LOAD)</b>	<b>1</b> (400 Pa)	<b>2</b> (800 Pa)	<b>3</b> (1200 Pa)	<b>4</b> (1600 Pa)	<b>5</b> (2000 Pa)	<b>E...</b> (2000+ Pa)				
<b>SEHİM KRİTERİ - EN 12210 (DEFLECTION CRITERIA)</b>	<b>A</b> (L/150)	<b>B</b> (L/200)	<b>C</b> (L/300)							
<b>SİSTEM UF DEĞERİ - EN 10077-2 (THERMAL INSULATION VALUE)</b>						3,89~4,52 W/m²K				
<b>SİSTEM SES YALITIMI - EN 10140 - 2 (ACOUSTIC PERFORMANCE VALUE)</b>						30 dB				

## ISI YALITIM DEĞERLERİ (UF) / THERMAL INSULATION VALUE (UF):

CAM KALINLIKLARI (GLASS THICKNESS) : min.5 mm - max. 33 mm



CAM KALINLIKLARI (GLASS THICKNESS) : min.5 mm - max. 33 mm



CAM KALINLIKLARI (GLASS THICKNESS) : min.5 mm - max. 33 mm

