


TEKNİK ÖZELLİKLERİ / TECHNICAL PROPERTIES

PROFİL GENİŞLİĞİ / SIGHT LINE	48 / 52 mm
SİSTEM DERİNLİĞİ / SYSTEM DEPTH	141 mm
ISI BARIYERLERİ / THERMAL BREAK	22 mm

PERFORMANS DEĞERLERİ / PERFORMANCE VALUES

HAVA GEÇİRGENLİĞİ - EN 12152 (AIR PERMEABILITY)	1 (150 Pa)	2 (300 Pa)	3 (450 Pa)	4 (600 Pa)	
SU SIZDIRMAZLIĞI - EN 12154 (WATERTIGHTNESS)	R4 (150 Pa)	R5 (300 Pa)	R6 (450 Pa)	R7 (600 Pa)	RE... (600+ Pa)
RÜZGAR YÜKÜNE DAYANIM - EN 13830 (RESISTANCE TO WIND LOAD)	± 2600 Pa				
KAPAKLI SİSTEM UF DEĞERİ - EN 10077-2 (THERMAL INSULATION VALUE)					2,26 ~2,69 W/M²K

1. ALÜMİNYUM ALAŞIM / ALUMINIUM ALLOY	EN AW 6060 T66
--	-----------------------

2. MEKANİK ÖZELLİKLER / MECHANICAL PROPERTIES	EN 755-2
KOPMA AKMA MUKAVEMETİ / YIELD-FLOW STRENGTH	215 N/mm ² -60 N/ mm
UZAMA A50 / ELONGATION A50	%6 (min.)
SERTLİK / HARDNESS	70 HRB

3.ÖLÇÜ TOLERANSLARI / DIMENSIONAL TOLLERANCES	EN 12020- 2
--	--------------------

4. ISI BARİYERİ / THERMAL INSULATION BARS	PA 66 GF 25
--	--------------------

5.YÜZEY İŞLEMLER / SURFACE TREATMENT	
---	--

5.1 ELOKSAL / ANODIC OXIDATION	EN 17611 / QUALANOD
KALINLIK / THICKNESS OF ANODIC OXIDATION	15-20 MICRON EN ISO 2360

5.2 TOZ BOYA / POWDER COATING	QUALICOAT-SEASIDE
KALINLIK / THICKNESS OF POWDER COATING	MIN 60 MICRON

6. TÜM FİTİLLER / ALL GASKETS	EPDM / POLİPROPİLEN
--------------------------------------	----------------------------

*SİSTEM İMALATINDA SADECE BU SİSTEM İÇİN TASARLANAN VE ÜRETİLEN ; SİSTEM KATALOĞUNDA İLAN EDİLEN FİTİLLER KULLANILMALIDIR. FARKLI FİTİL KULLANIMLARI İŞLEVSEL VE TASARIMSAL SORUNLARA SEBEP OLABİLİR.
THE GASKETS USED DURING ASSEMBLING AND INSTALLING THE COMPONENTS SHOULD BE ONLY THE ONES CREATED FOR THIS SYSTEM AND DISPLAYED IN THIS PRODUCT CATALOGUE. THE USE OF OTHER GASKETS OR/AND BRUSHES IT MAY CAUSE FUNCTIONAL AND DESIGN PROBLEMS.

7. AKSESUARLAR / ACCESSORIES	
-------------------------------------	--

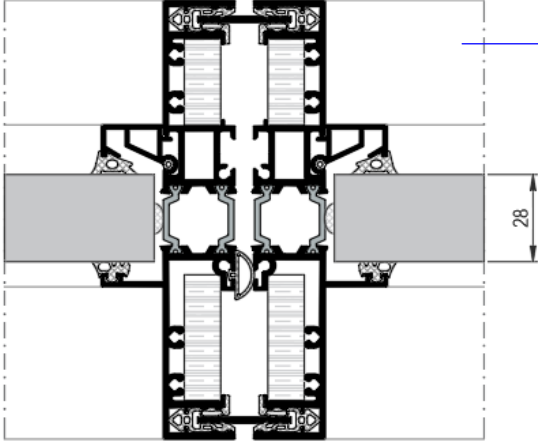
*İMALATTA KULLANILAN TÜM AKSESUARLAR SİSTEMİN YÜKSEK PERFORMANS İLE ÇALIŞABİLMESİ İÇİN SADECE BU SİSTEME ÖZEL OLARAK TASARLANMIŞTIR. KATALOGDA İLAN EDİLENDEN FARKLI AKSESUAR KULLANIMLARI SİSTEMİN DOĞRU ÇALIŞMASINI ENGELLEYEBİLİR.
ALL THE ACCESSORIES USED FOR THE MANUFACTURING, MOUNTING, FUNCTIONING AND INSTALLATION OF THIS SYSTEM ARE SPECIFICALLY STUDIED FOR THIS SYSTEM IN ORDER TO INSURE PERFORMANCES AND A CORRECT FUNCTIONING OF THE MODELS. THE USE OF OTHERS ACCESSORIES DIFFERENTS FROM THE ONES DISPLAYED IN THIS CATALOGUE IT MAY EFFECT OR/AND MAKE DANGEROUS THE FUNCTIONNING OF THE COMPONENT.

TEKNİK ÖZELLİKLER TECHNICAL PROPERTIES

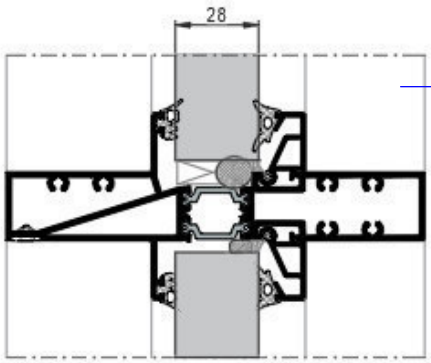
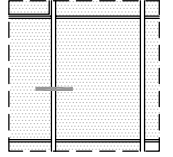
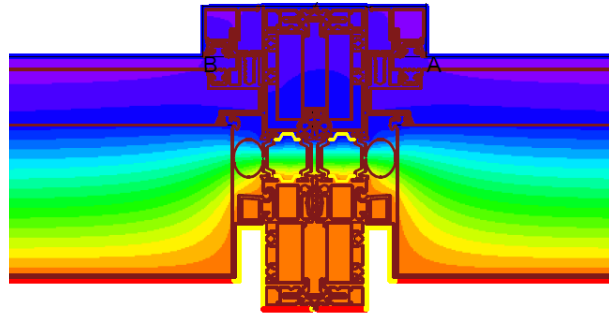
REWW141

ISI YALITIM DEĞERLERİ (Uf)
THERMAL INSULATION VALUE (Uf)

CAM KALINLIKLARI 28 MM
GLASS THICKNESS 28 MM



Uf: 2,69 W/M²K



Uf: 2,26 W/M²K

