

**MİMARİ KATALOG**  
ARCHITECTURAL CATALOGUE

**Alüminyum Konvansiyonel Sistemler**  
Aluminium Conventional Systems

**RPC40**

**MİMARİ KATALOG**  
ARCHITECTURAL CATALOGUE

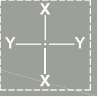
Alüminyum Konvansiyonel Sistemler  
Aluminium Conventional Systems

# RPC40

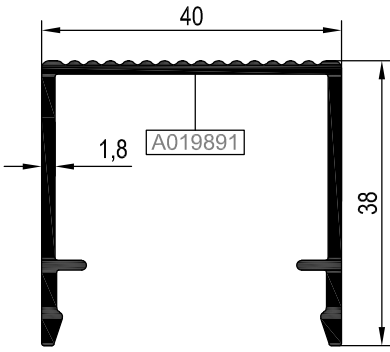
**PROFİLLER**

PROFILES

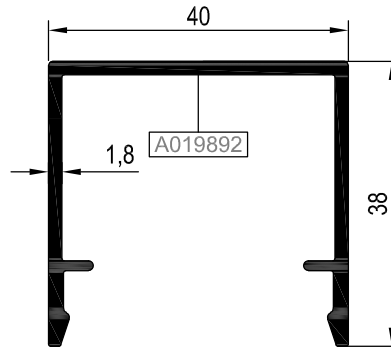
KOD / CODE	AĞIRLIK (kg/m) / WEIGHT	L m	KOD / CODE	AĞIRLIK (kg/m) / WEIGHT	L m
PC40 P 01	0,570	6	PC40 M 04	0,483	6
PC40 P 02	0,596	6	PC40 M 05	0,483	6
PC40 P 03	0,620	6	SP22 A 02	0,146	6
PC40 P 04	1,164	6			



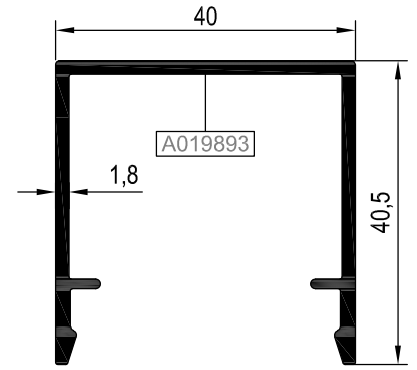
PC40 P 01



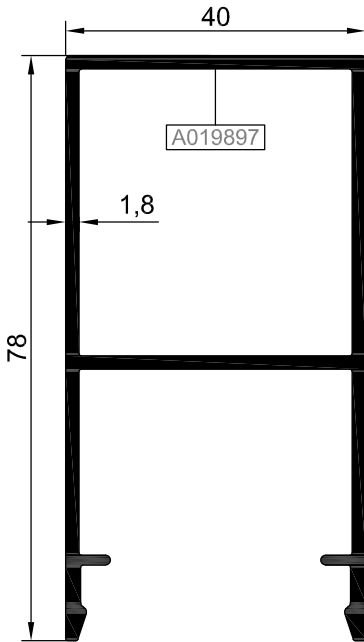
PC40 P 02



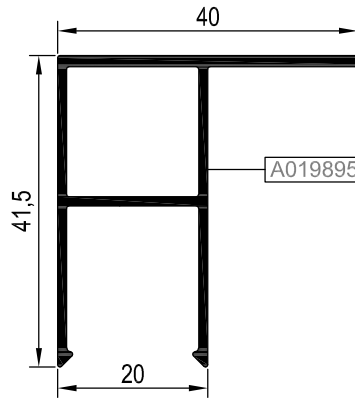
PC40 P 03



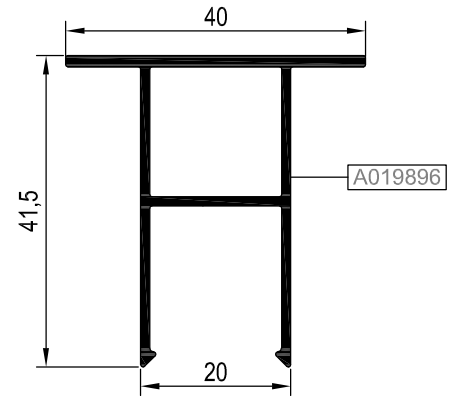
PC40 P 04



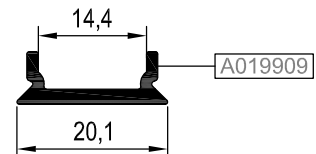
PC40 M 04



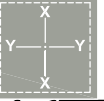
PC40 M 05



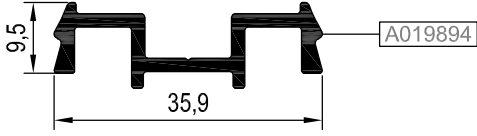
SP22 A 02



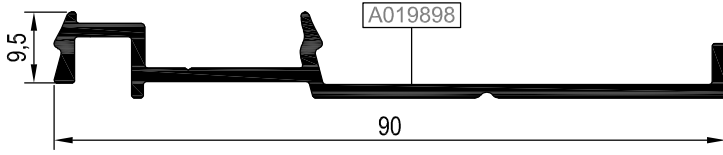
KOD / CODE	AĞIRLIK (kg/m) / WEIGHT	L m	KOD / CODE	AĞIRLIK (kg/m) / WEIGHT	L m
PC40 M 01	1,355	6	PC40 M 07	0,589	6
PC40 M 02	1,169	6	PC40 M 08	0,583	6
PC40 M 03	2,118	6			
PC40 M 06	0,335	6			



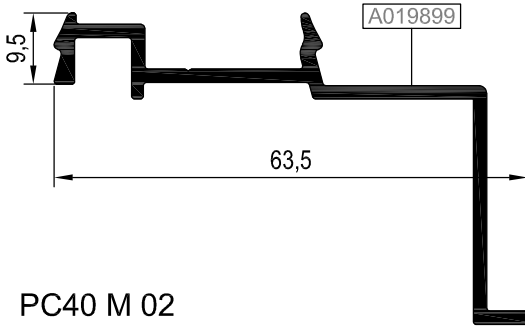
PC40 M 06



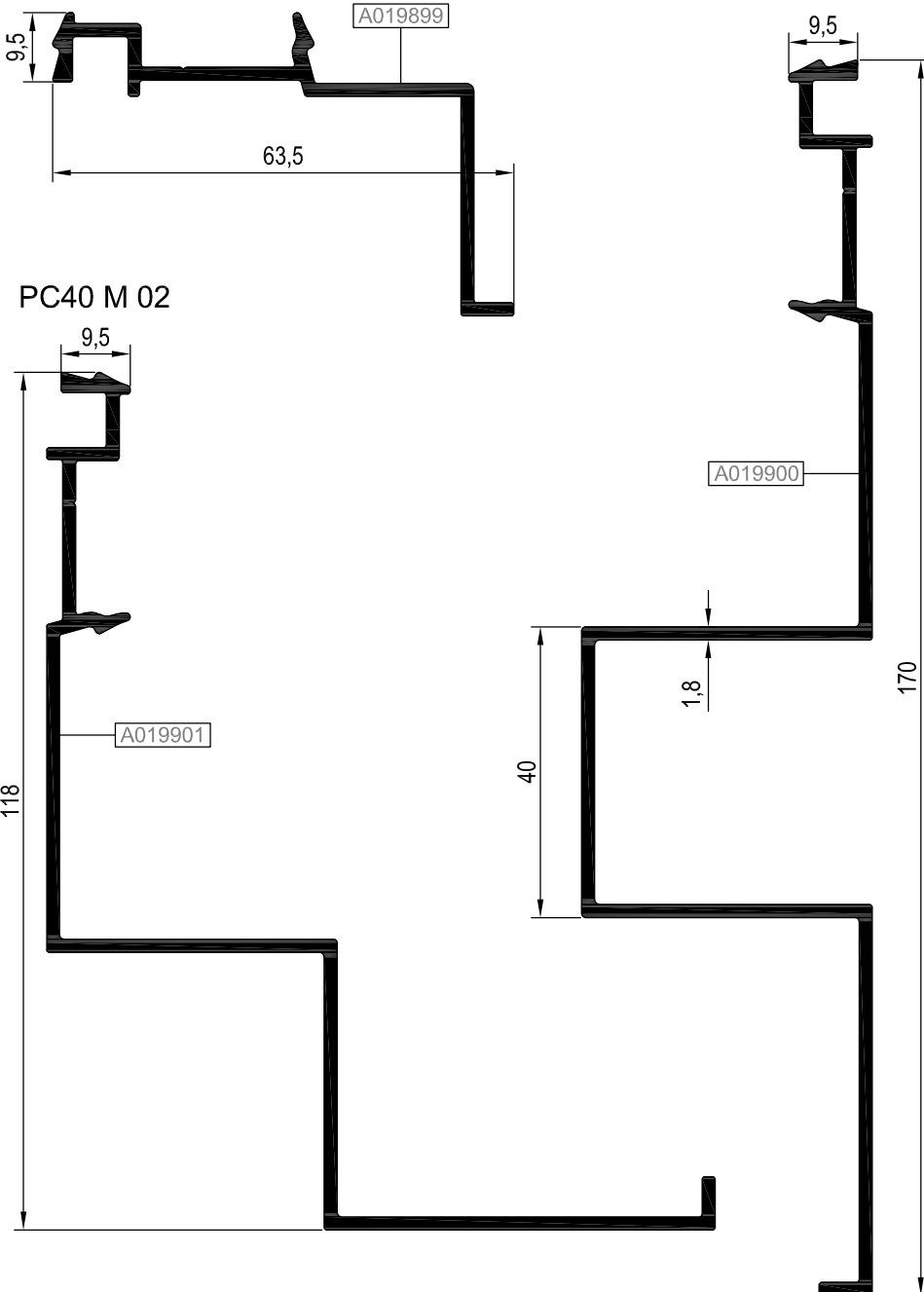
PC40 M 07



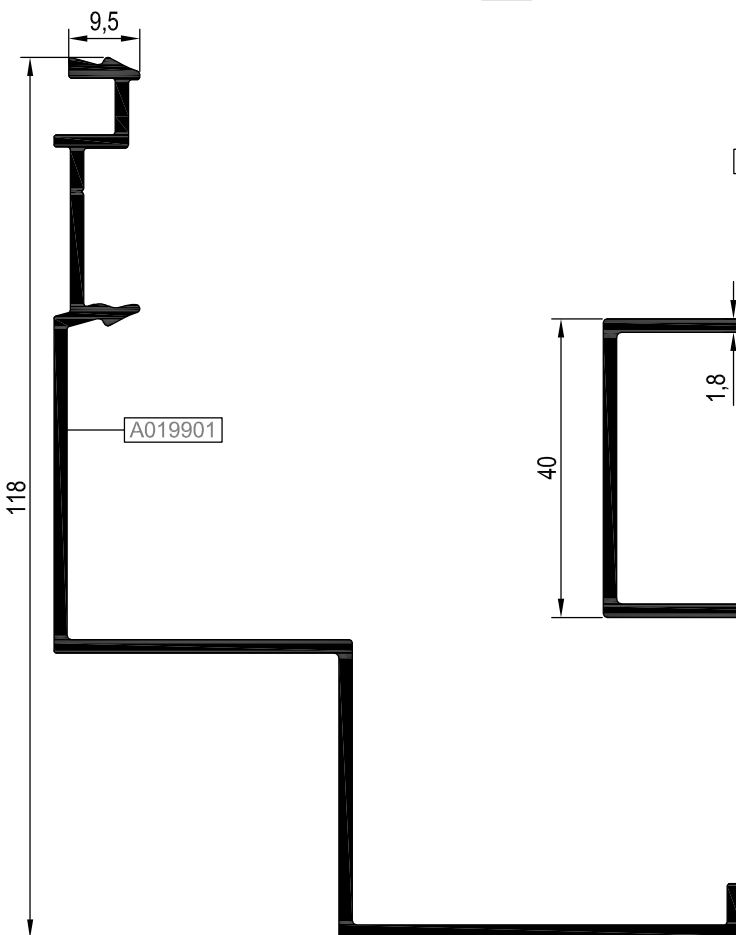
PC40 M 08



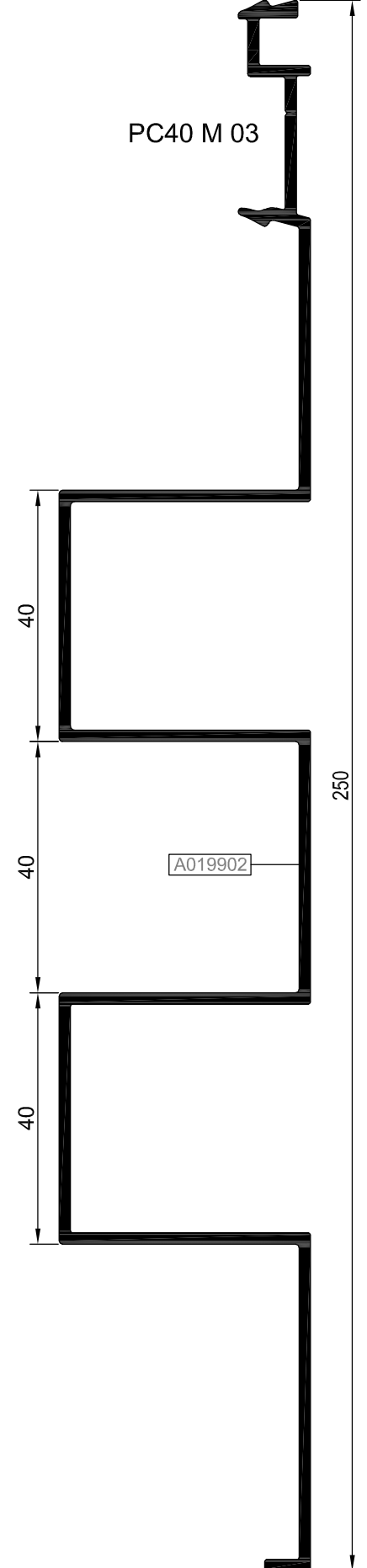
PC40 M 01



PC40 M 02



PC40 M 03



**MİMARİ KATALOG**  
ARCHITECTURAL CATALOGUE

Alüminyum Konvansiyonel Sistemler  
Aluminium Conventional Systems

# RPC40

**DETAYLAR**

**DETAILS**

